

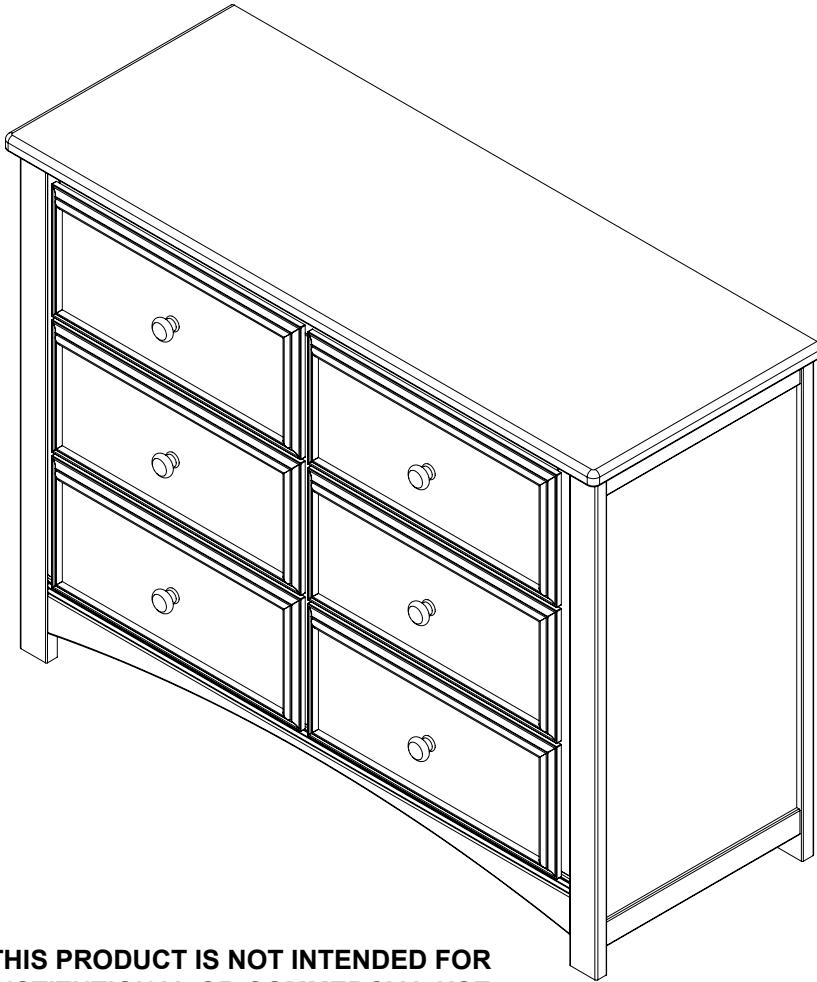


Read all instructions before assembly and use.
KEEP INSTRUCTIONS FOR FUTURE USE.

⚠ ADULT ASSEMBLY REQUIRED

Due to the presence of small parts during assembly, keep out of reach of children until assembly is complete.

6 Drawer Dresser



THIS PRODUCT IS NOT INTENDED FOR INSTITUTIONAL OR COMMERCIAL USE.

Consumer Care:
www.DeltaChildren.com

Delta Children's Products
114 West 26th Street
New York, NY 10001
Tele.212-645-9033

Style #: _____
Lot: _____
Date: _____



When contacting Delta Consumer Care please reference the above information. Before contacting Delta Consumer Care please ensure that the information above matches the information found on the label on the *Back Panel*, please reference the information found on the product when contacting Delta Consumer Care.

To register your product for important safety alerts and updates to your product please visit www.DeltaChildren.com and click on Product Registration.

WARNING

Serious or fatal crushing injuries can occur from furniture tip-over. To help prevent tip-over:

- Place heaviest items in the lowest drawers.
- Unless specifically designed to accommodate, **do not** set TV's or other heavy objects on the top of this product.
- Never** allow children to climb or hang on drawers, doors, or shelves.
- Never** open more than one drawer at a time.

Use of tip-over restraints may only reduce, but not eliminate, the risk of tip-over.

- Always monitor your child's activity when in the nursery.
- Do not** allow standing in drawers.
- Do not** allow standing on top of this product.
- Accessory Items must be securely fastened to this product according to the instructions provided with those items.
- To avoid head injury, do not allow children to play underneath open drawers.
- Do not leave drawers open when not in use.

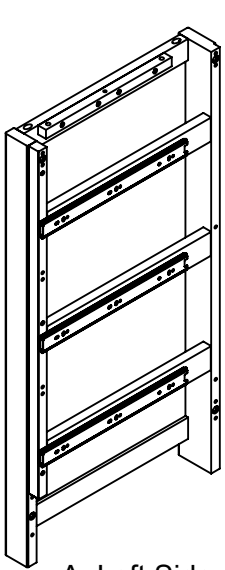
NOTES ON ASSEMBLY:

- During the assembly process whenever using screws or bolts, check each by placing the screw/bolt on the diagram of the item which is drawn actual size and design. Be sure to use the proper size and shape specified in the instructions.
- To assemble this unit you may be required to place the unit on it's side and face. It is strongly recommended that assembly is done on a soft, non-abrasive surface to avoid damaging the finish.

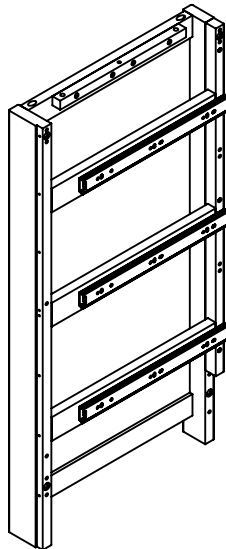
NOTES ON CARE AND MAINTENANCE:

- **Do not** scratch or chip the finish.
- Inspect the product periodically, contact delta children's products for replacement parts or questions.
- **Do not** store the product or any parts in extreme temperatures and conditions such as a hot attic or a damp, cold basement. These extremes can cause a loss of structural integrity.
- To preserve the luster of the high quality finish on your product, it is recommended to place a doily or felt pad under any items you place on the finish.
- Clean with a damp cloth, then a dry cloth to preserve the original luster and beauty of this fine finish.
- Do not** use abrasive chemicals.
- Do not** spray cleaners directly onto furniture.
- Lift slightly when moving on carpeting to prevent leg breakage.
- Use of a vaporizer near furniture will cause wood to swell and finish to peel.

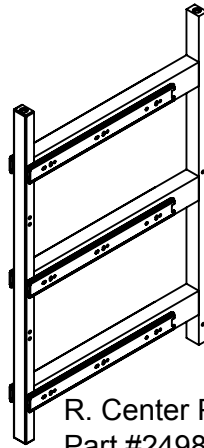
PARTS: MAKE SURE THAT ALL PRE-ASSEMBLED PARTS ARE TIGHT.



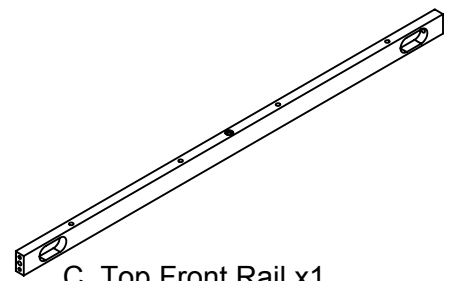
A. Left Side x1
Part #24984



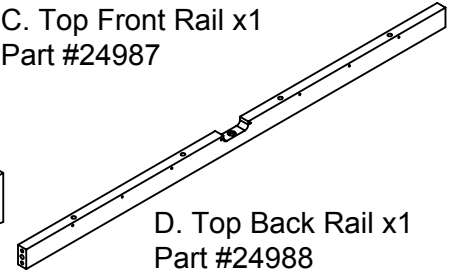
B. Right Side x1
Part #24985



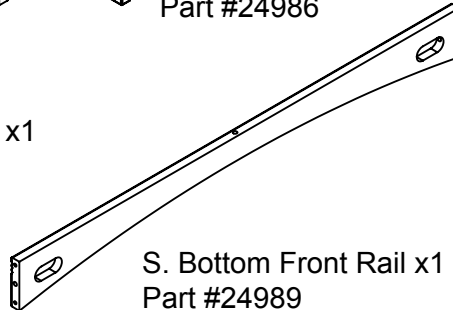
R. Center Panel x1
Part #24986



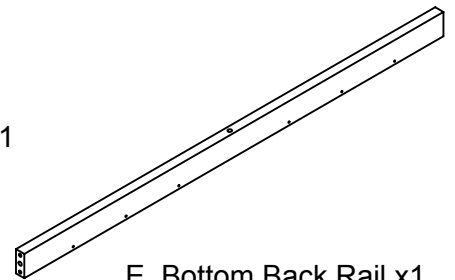
C. Top Front Rail x1
Part #24987



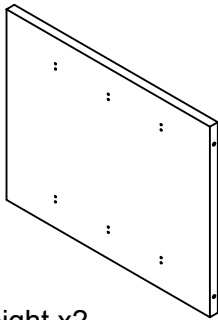
D. Top Back Rail x1
Part #24988



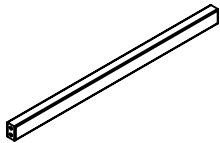
S. Bottom Front Rail x1
Part #24989



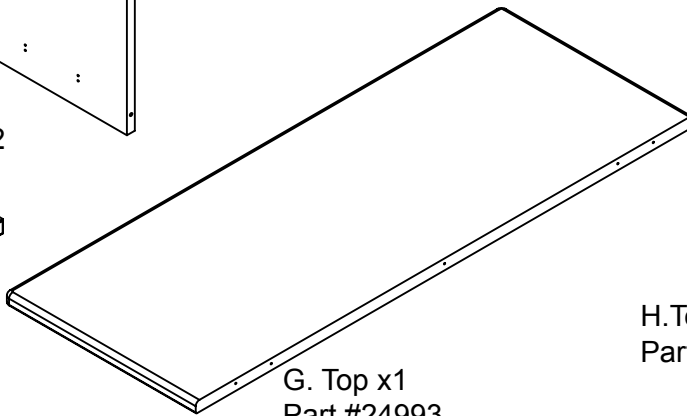
E. Bottom Back Rail x1
Part #24990



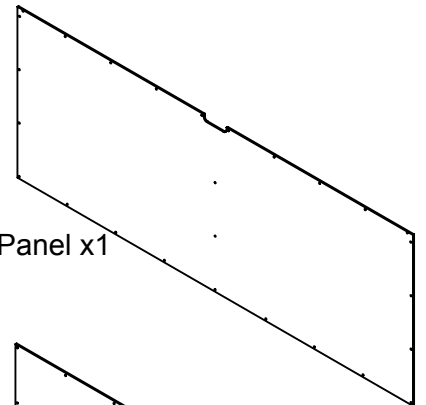
T. Back Weight x2
Part #24992



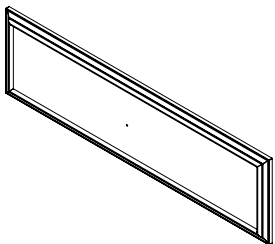
F. Drawer Rail x4
Part #24991



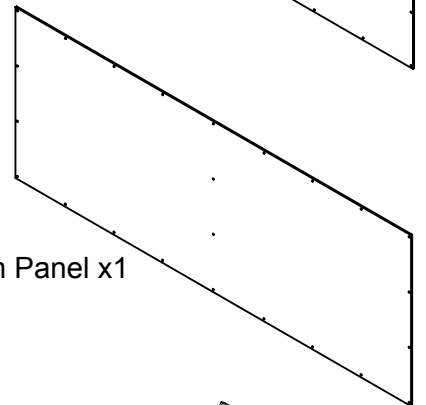
G. Top x1
Part #24993



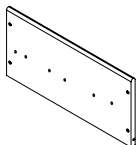
H. Top Back Panel x1
Part #24994



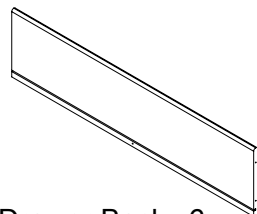
K. Drawer Front x6
Part #24996



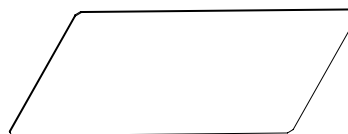
J. Back Bottom Panel x1
Part #24995



L. Drawer Side x12
Part #24977



M. Drawer Back x6
Part #24998

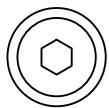


N. Drawer Bottom x6
Part #24999

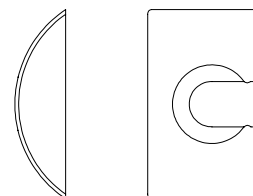


P. Drawer Bottom Support x6
Part #25000

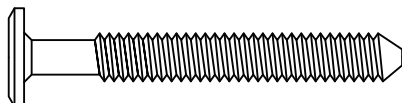
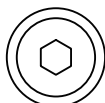
PARTS: Hardware kit part #25001 for color #208



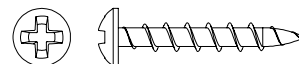
AA. 30mm Bolt x5



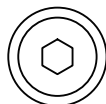
DD. Plastic Crescent Washer x8



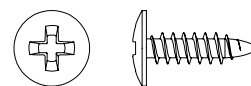
BB. 50mm Bolt x11



EE. PHWS 3 x 25mm x30



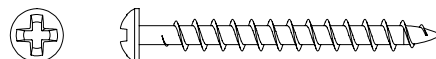
CC. 60mm Bolt x8



FF. PHWS 3 x 15mm Truss Head x46



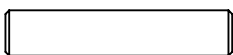
LL. Plastic Barrel Nut x30



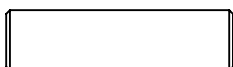
GG. PHWS 3 x 40mm x30



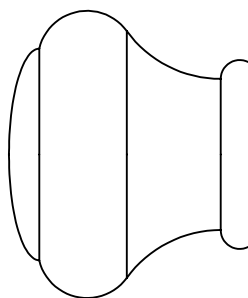
KK. 12mm Screw x 36



HH. 6mm Dowel x12

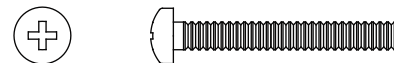


JJ. 8mm Dowel x42

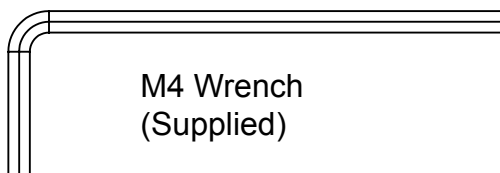


PP1. Wood knob base x6

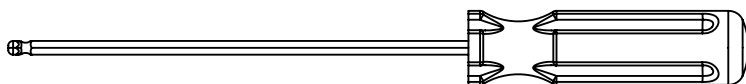
PP. Knob and Screw
Part# 24983



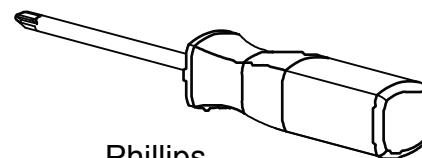
PP2. KNOB SCREW 30mm x6



M4 Wrench
(Supplied)

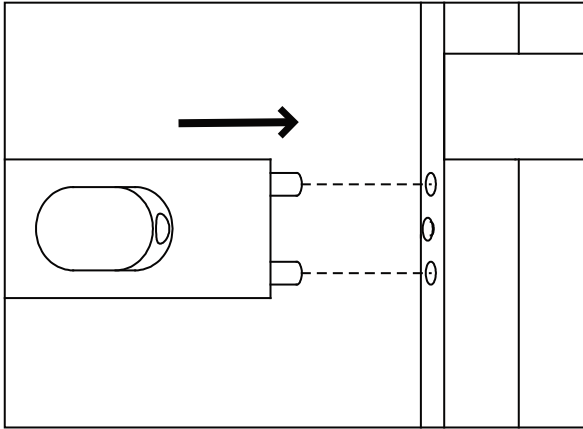
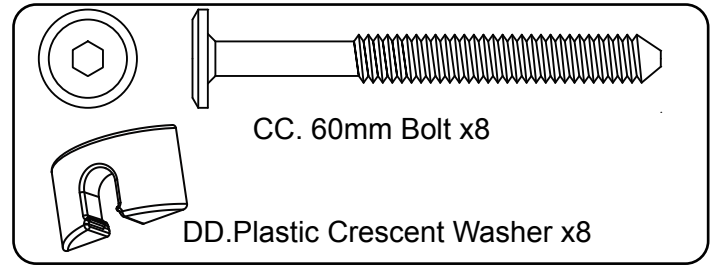


M4 Ball End Hex Screwdriver
(Included)



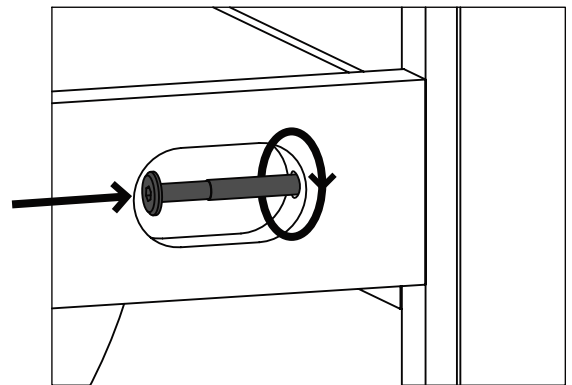
Phillips
Screwdriver x1
(Not included)

HARDWARE SYSTEM - REVIEW BEFORE ASSEMBLY

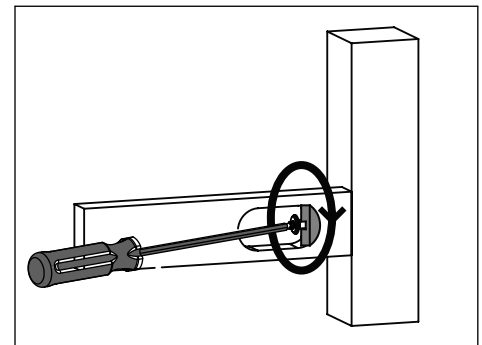
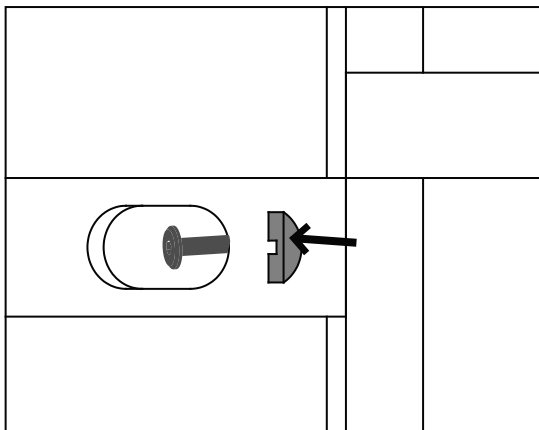


1. Insert the Dowels in the Rail into the holes in the Post.

2. Align the bolt with the hole in the end of the rail, align the dowels in the end of the rail with the holes in the post. Slide together until tight.

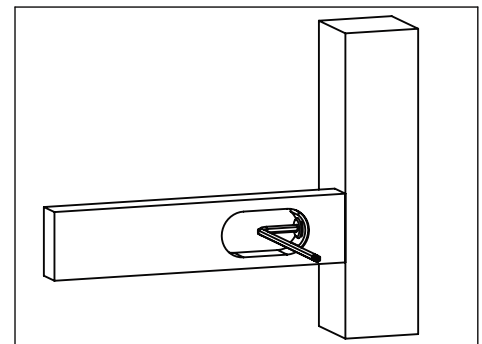


3. Slide the Plastic Crescent Washer over the exposed bolt, behind the head of the bolt. Tighten the bolt with the M5 Allen Wrench provided.

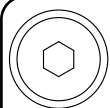


Install (1) bolt and (1) crescent washer at a time.
Using the Hex Head Screwdriver,
Tighten until it looks like the picture.

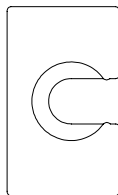
Ensure all bolts are tightened.



STEP #1



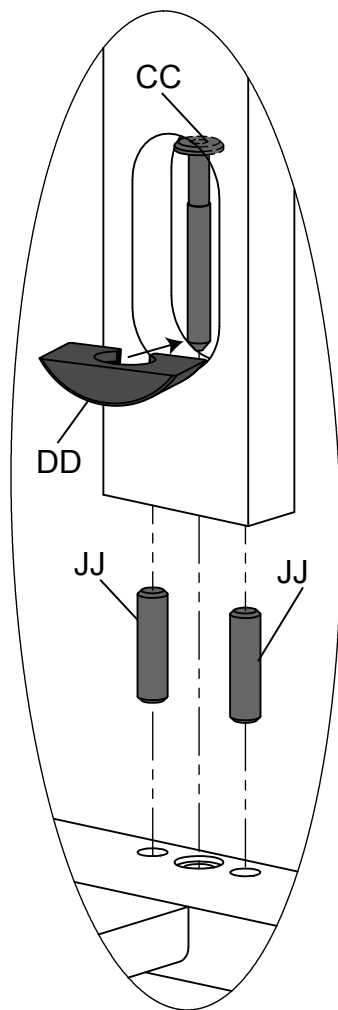
CC.60mm Bolt x 4



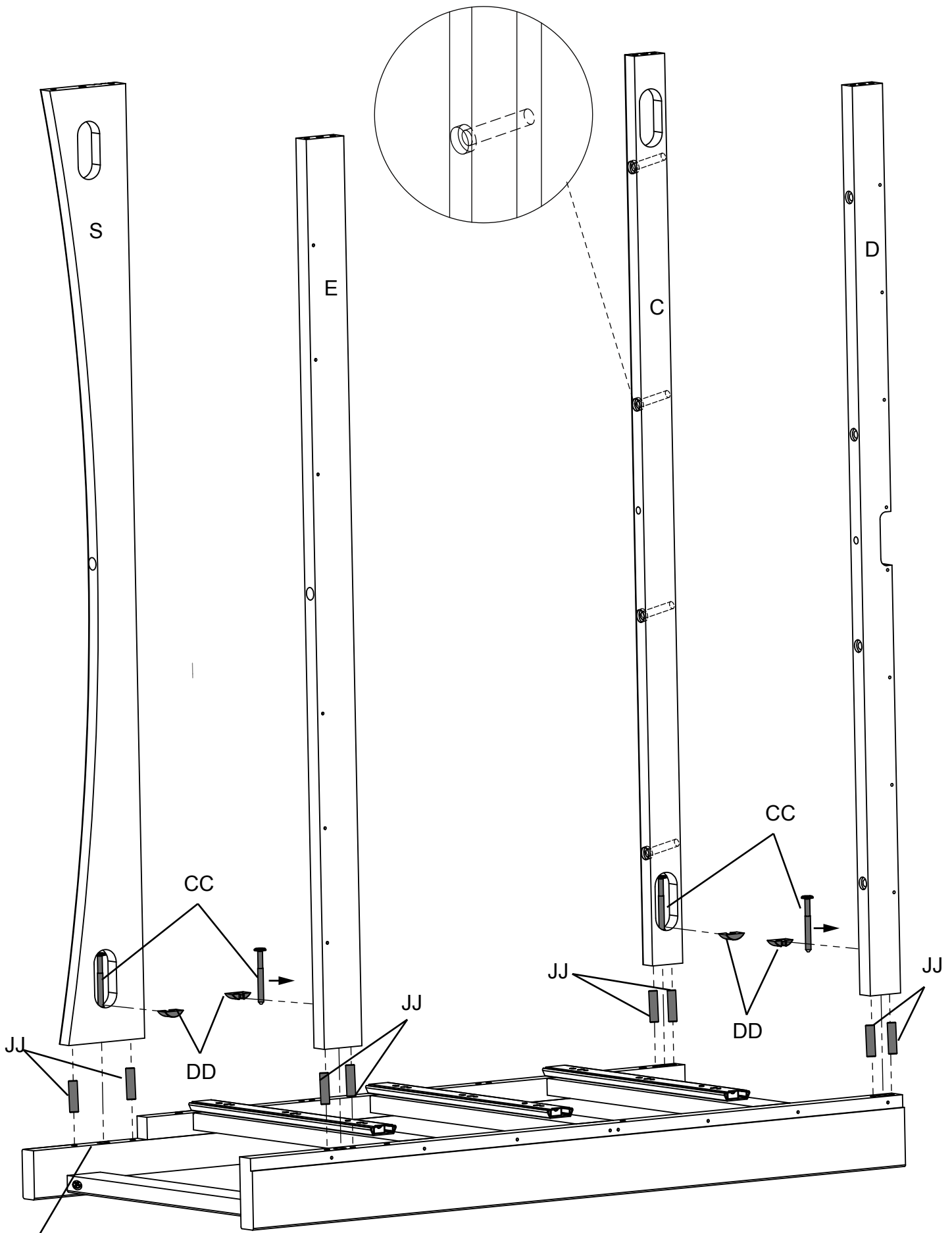
DD. Plastic Crescent Washer x4



JJ. 8 mm Wood Dowel x8

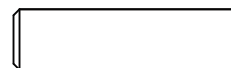


Attach Top Front Rail (Part C), Top Back Rail (Part D), Bottom Front Rail (Part S) and Bottom Back Rail (Part E) to the Left Side (Part A) using (8) 8mm Wood Dowels (Part JJ), (4) 60mm Bolts (Part CC) and (4) Crescent Washers (Part DD). Install and tighten the Bolts following the directions on page 5.



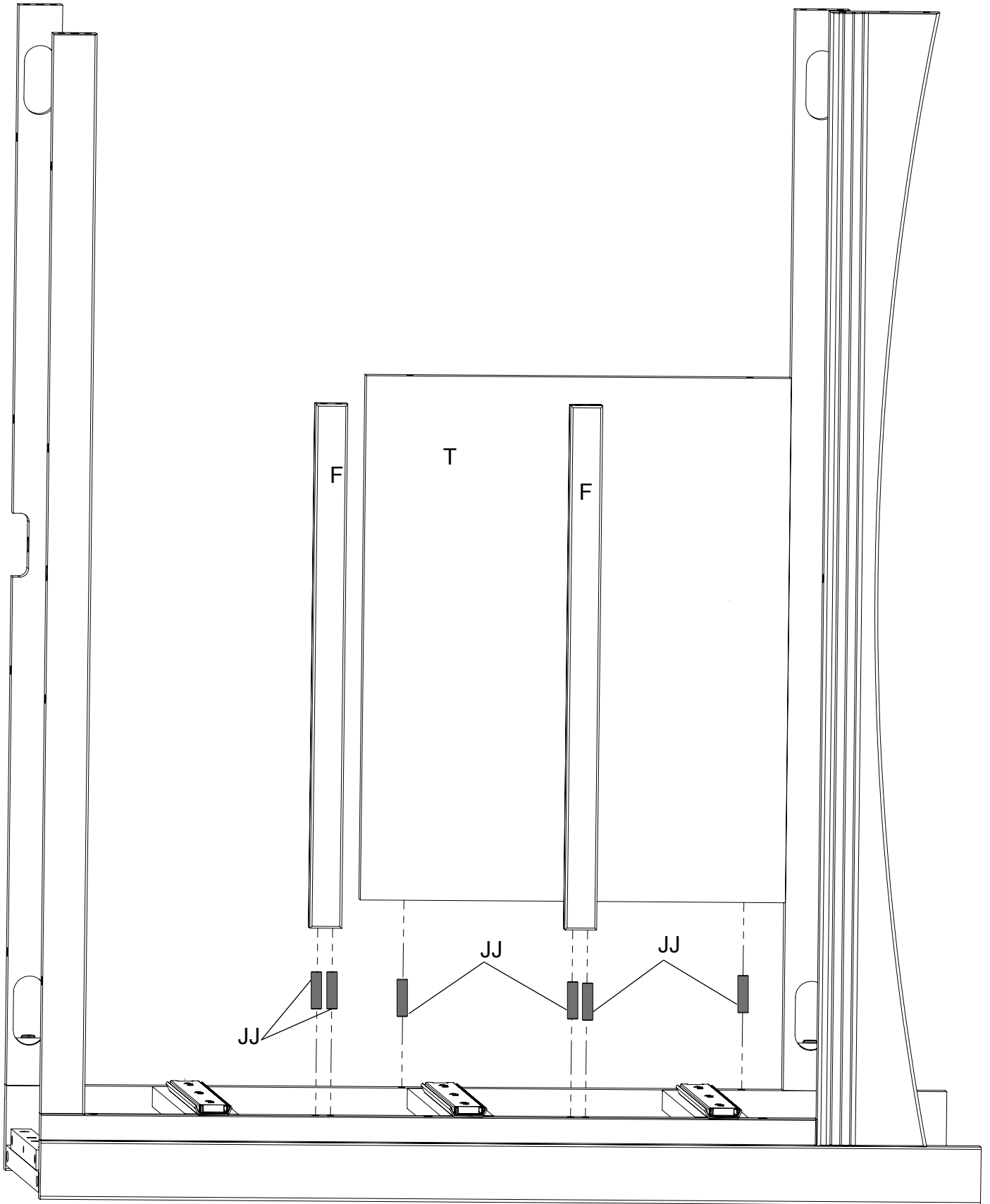
Bottom Front is Stepped Down

STEP #2
ÉTAPE N°2
PASO #2

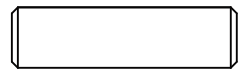
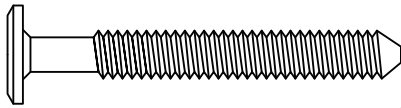
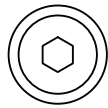


JJ. 8mm Wood Dowel x6

Install (2) Drawer Rails (Part F) and (1) Back Weight (Part T) using (2) 8mm Wood Dowels (Part JJ) for each.

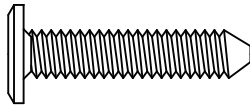
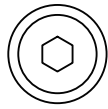


STEP #3

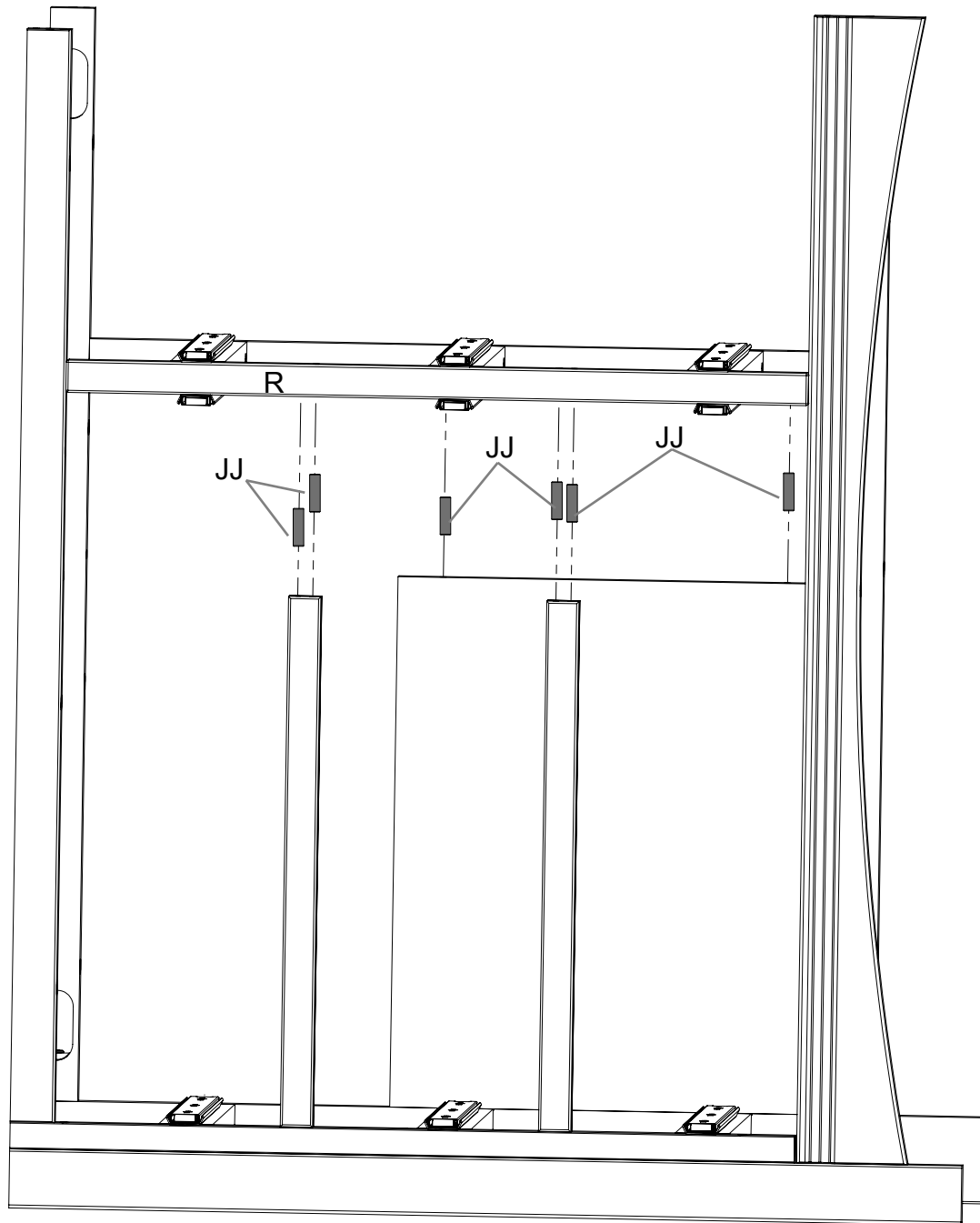


BB. 50mm Bolt x3

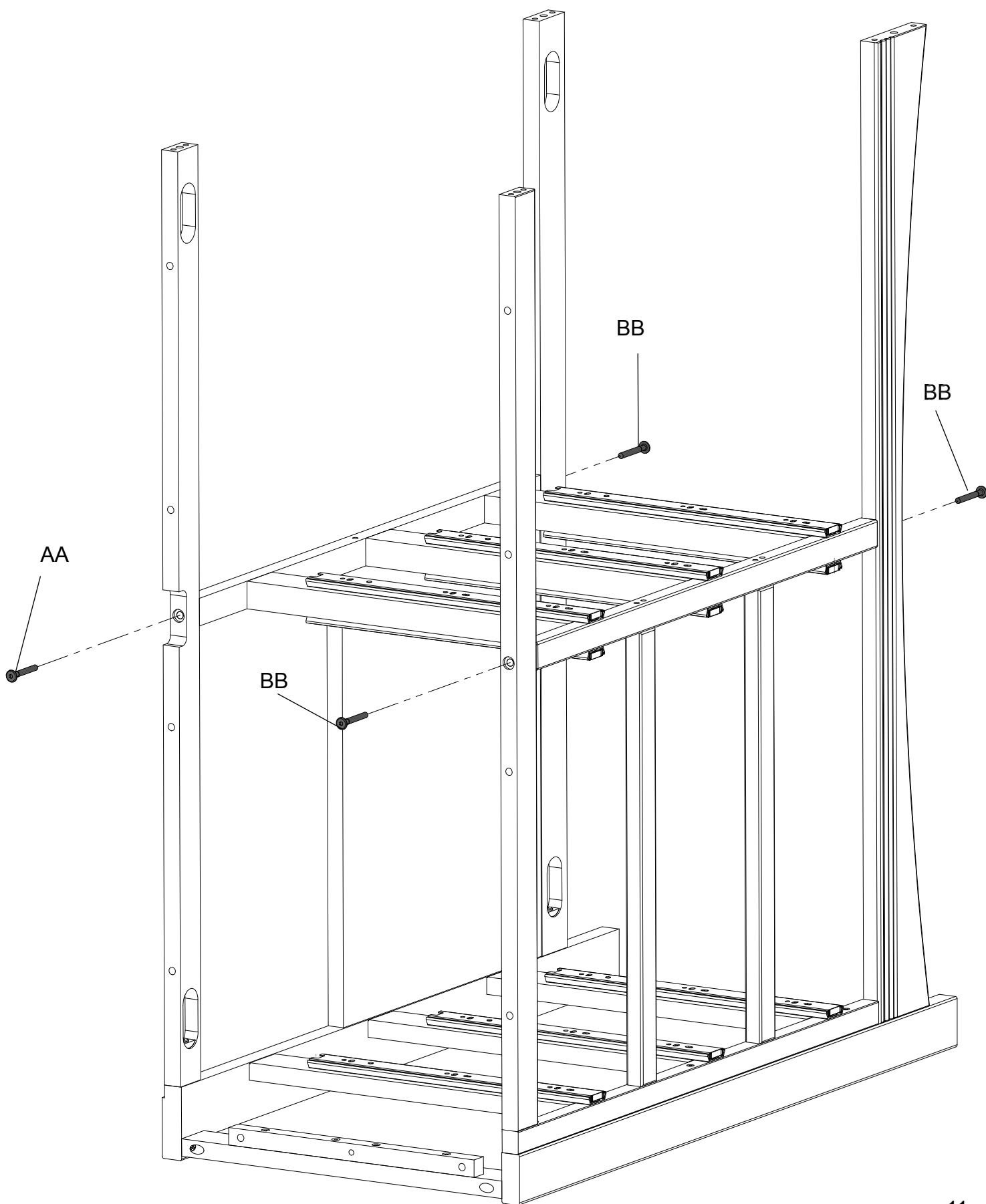
JJ. 8mm Wood Dowel x6



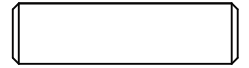
AA. 30mm Bolt x1



Attach the Center Panel (Part R) by installing (2) 8mm Wood Dowels (Part JJ) into the ends of each rail installed in the previous step. Then align those dowels with the holes in the Center Panel and carefully set the Center Panel on the rails. Install (3) 50mm Bolts (Part BB) and (1) 30mm Bolt (Part AA). DO NOT Tighten the bolts at this time, they should be loose.

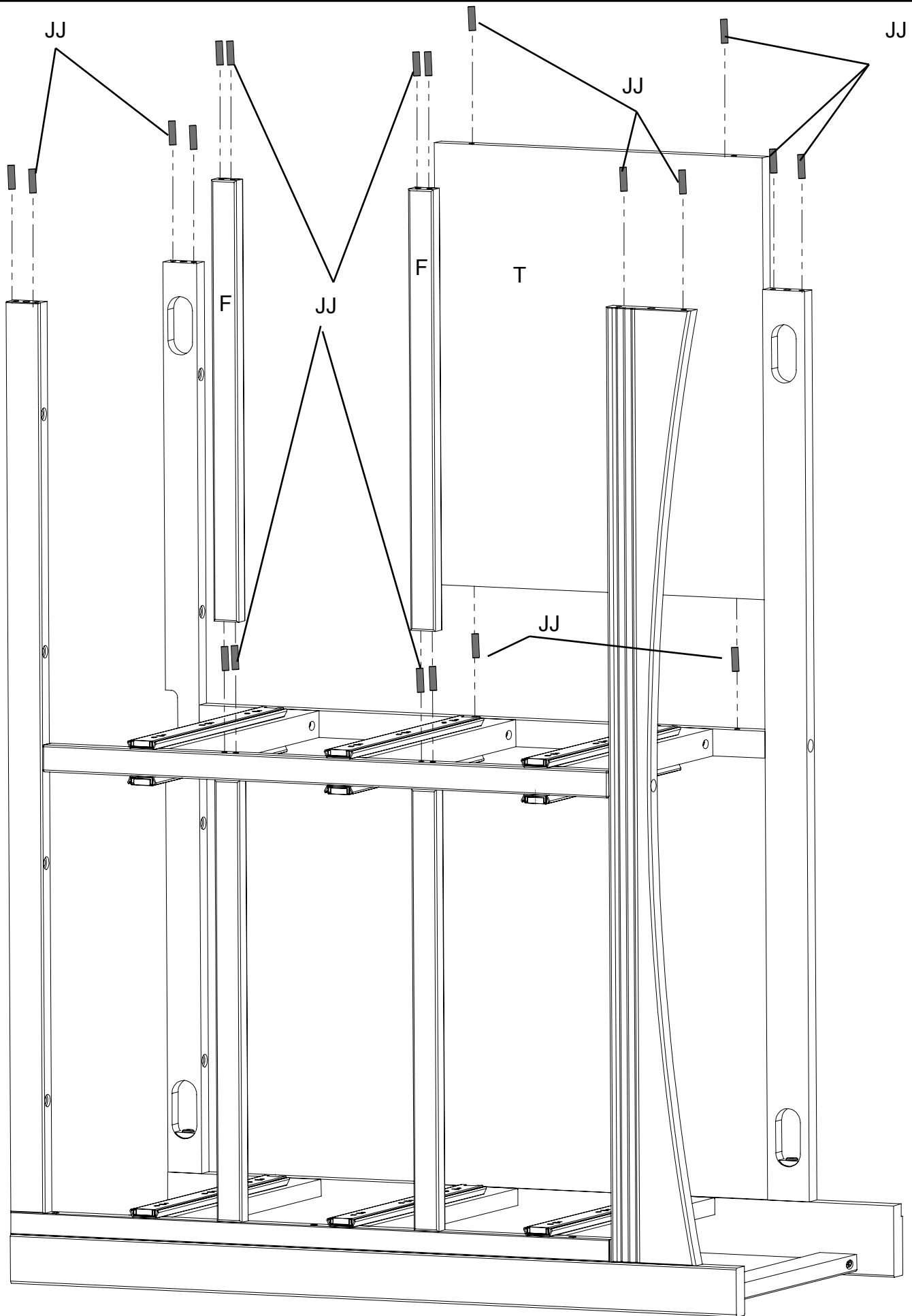


STEP #4

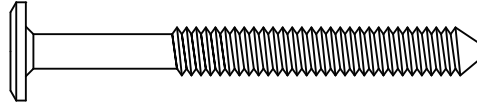
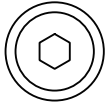


JJ. 8mm Wood Dowel x20

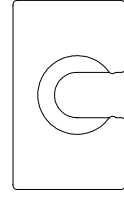
Install (2) Drawer Rails (Part F) and (1) Back Weight (Part T) using (6) 8mm Wood Dowels (Part JJ) . Then install (14) dowels in the top of the rails.



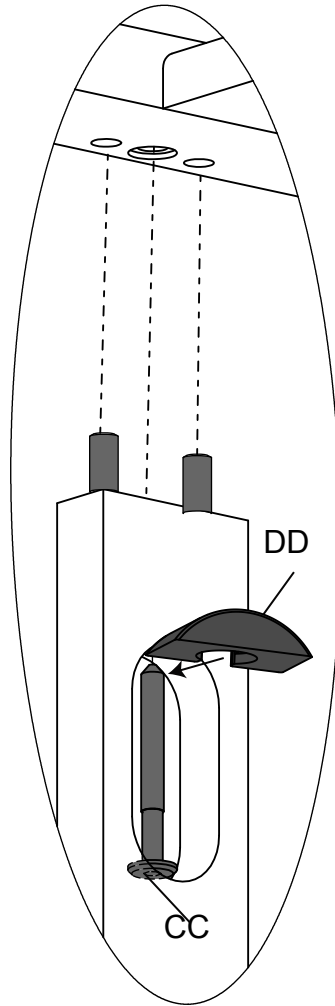
STEP #5



CC. 60mm Bolt x4

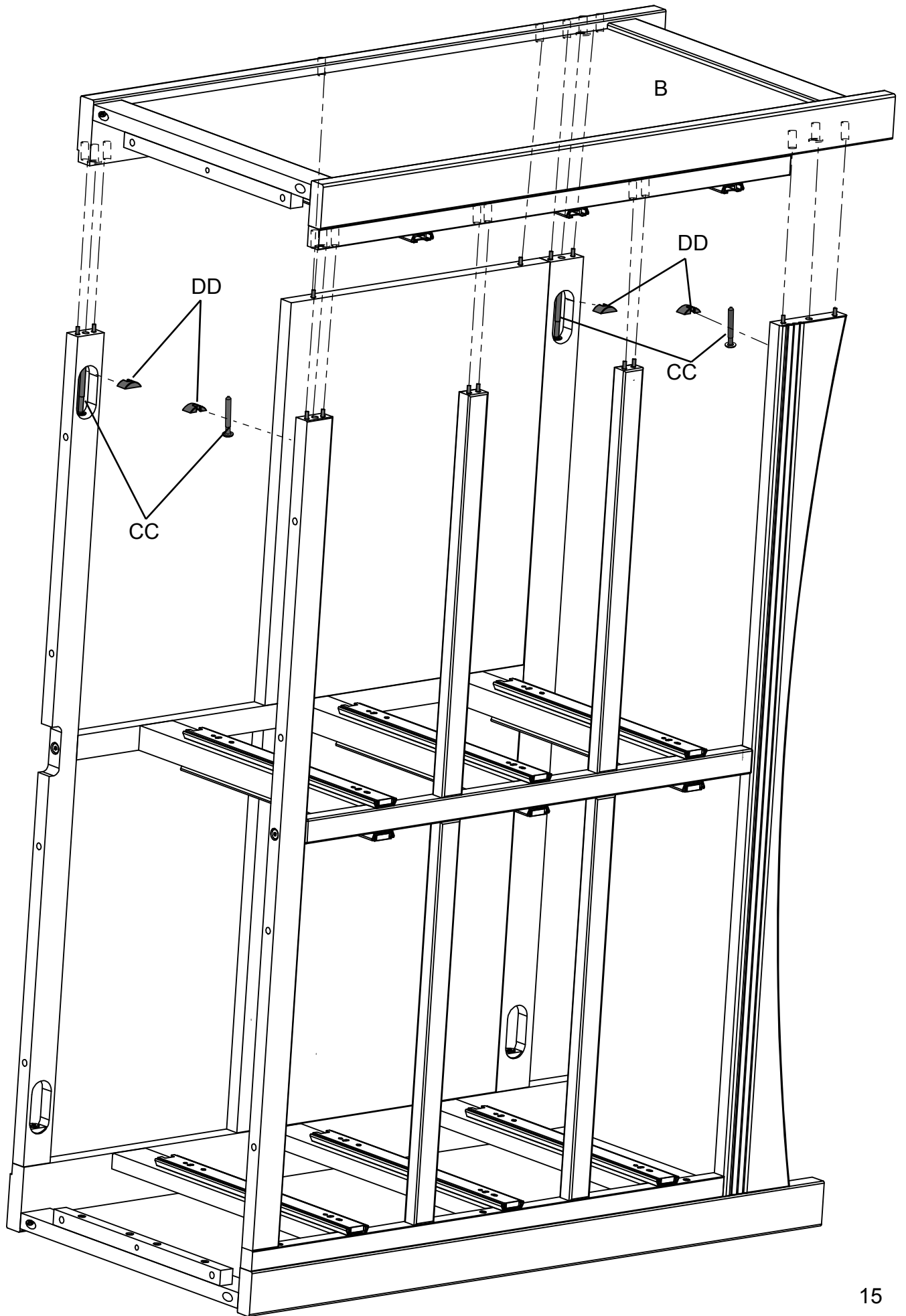


DD. Plastic Crescent Washer x4

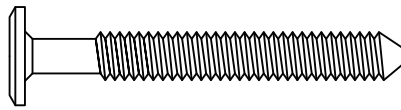
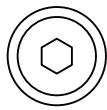


1. Carefully align ALL dowels with the holes in the Right Side (Part B). Attach the Right Side using (4) 60mm Bolts (Part CC) and (4) Crescent Washers (Part DD). Install and tighten the Bolts following the directions on page 5.

2. Tighten the bolts installed in Step 3 using the Allen wrench provided.

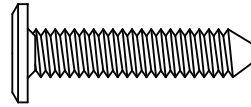
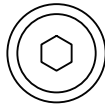


STEP #6

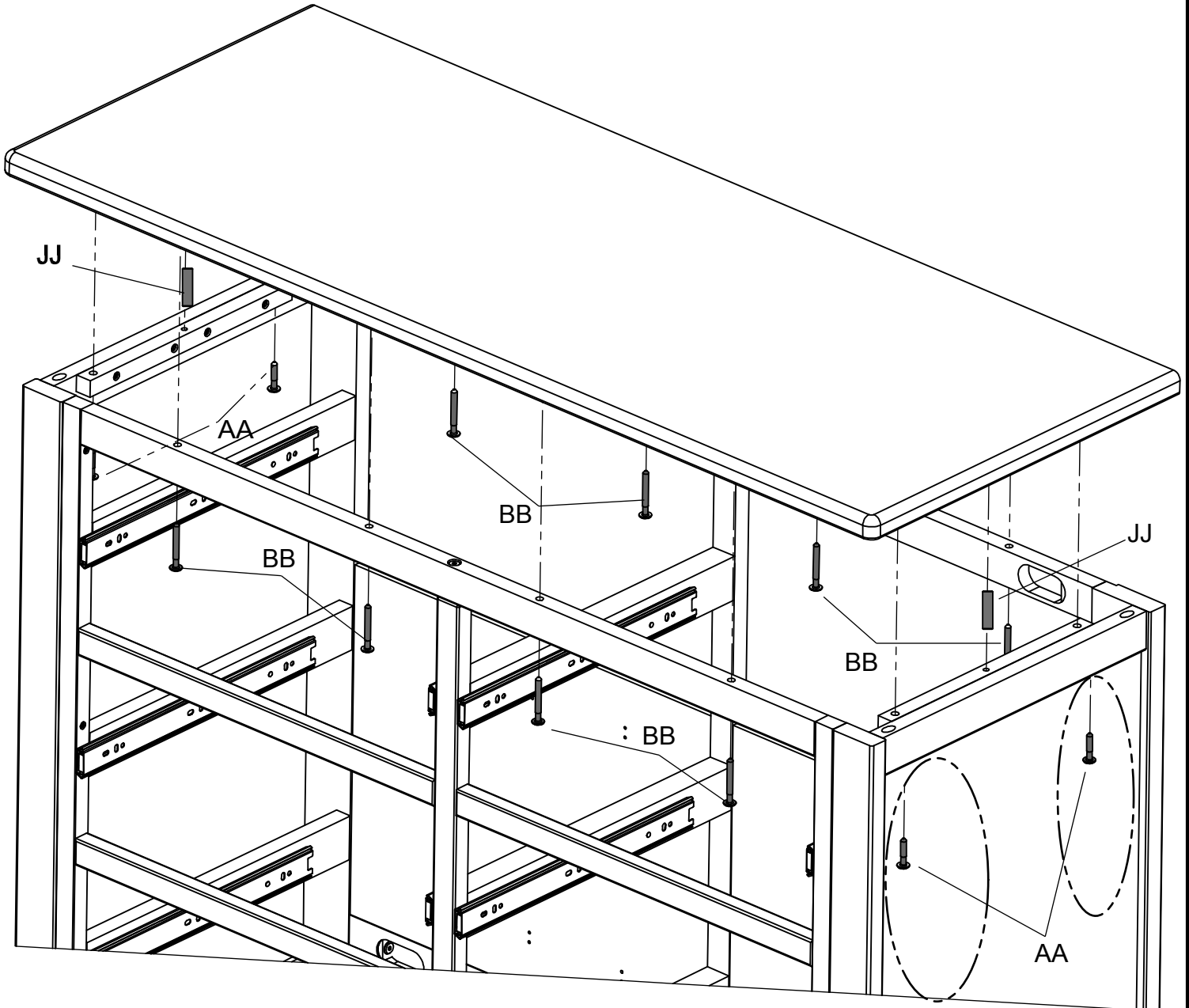


BB. 50mm Bolt x8

JJ. 8mm Wood Dowel x2

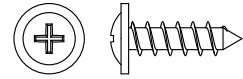


AA. 30mm Bolt x4

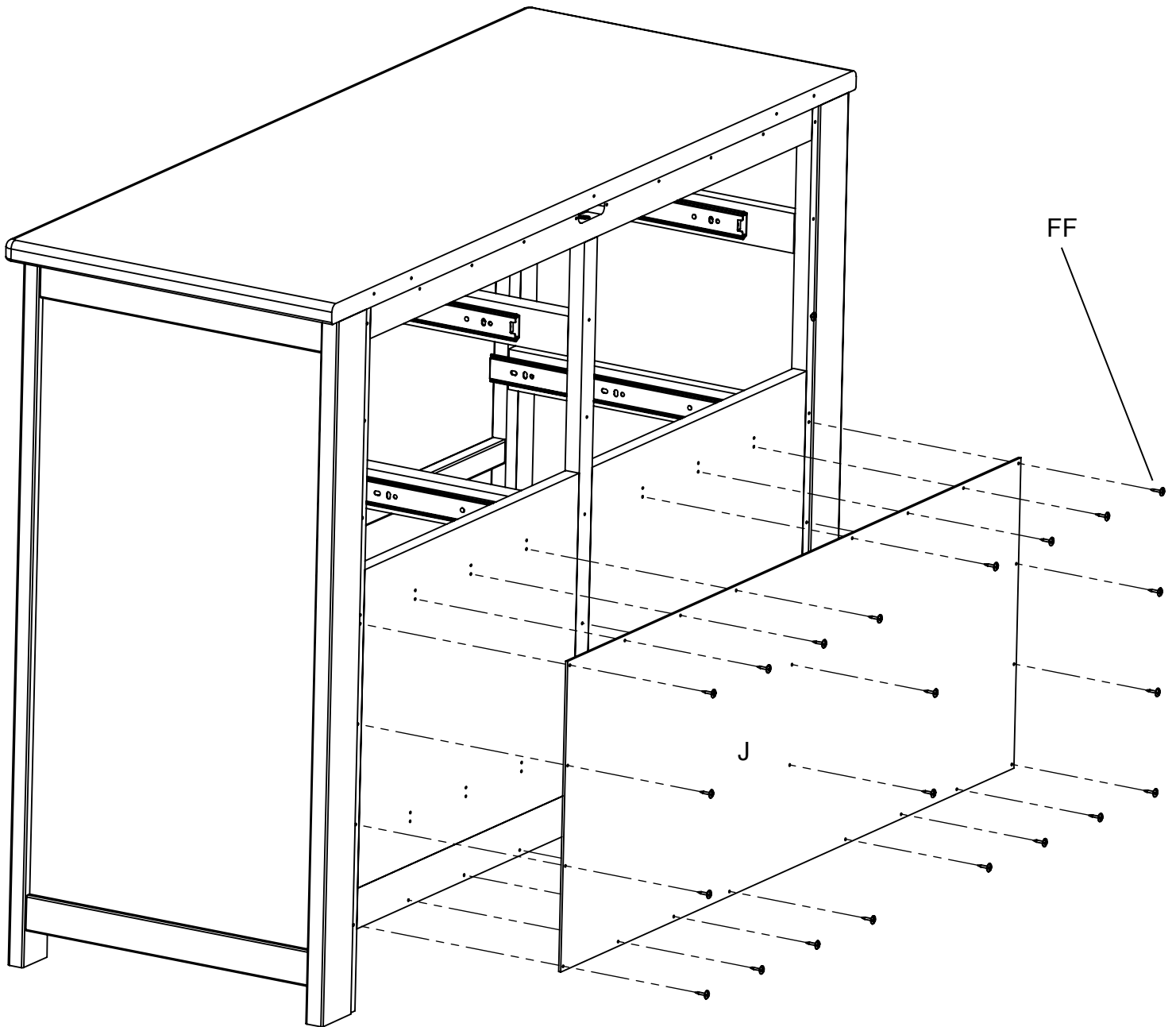


Insert (2) 8mm Wood Dowels (Part JJ) into the Left Side (Part A) and Right Side (Part B). Carefully align ALL dowels with the holes in the Top (Part G). Attach the Top (Part G) using (8) 50mm Bolts (Part BB) and (4) 30mm Bolts (Part AA). Tighten the bolts using the Allen wrench provided.

STEP #7



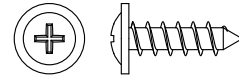
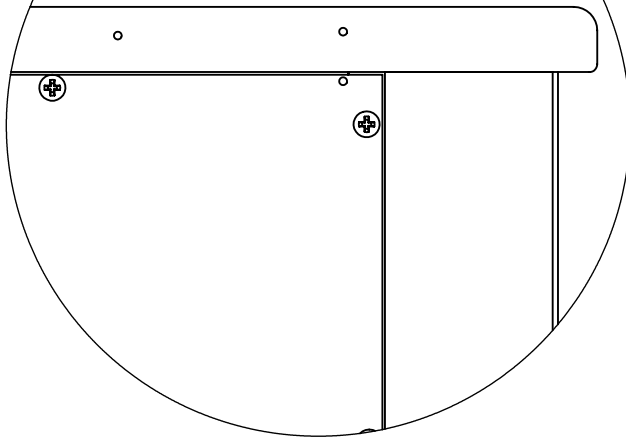
FF.15mm Back Panel Screw x22



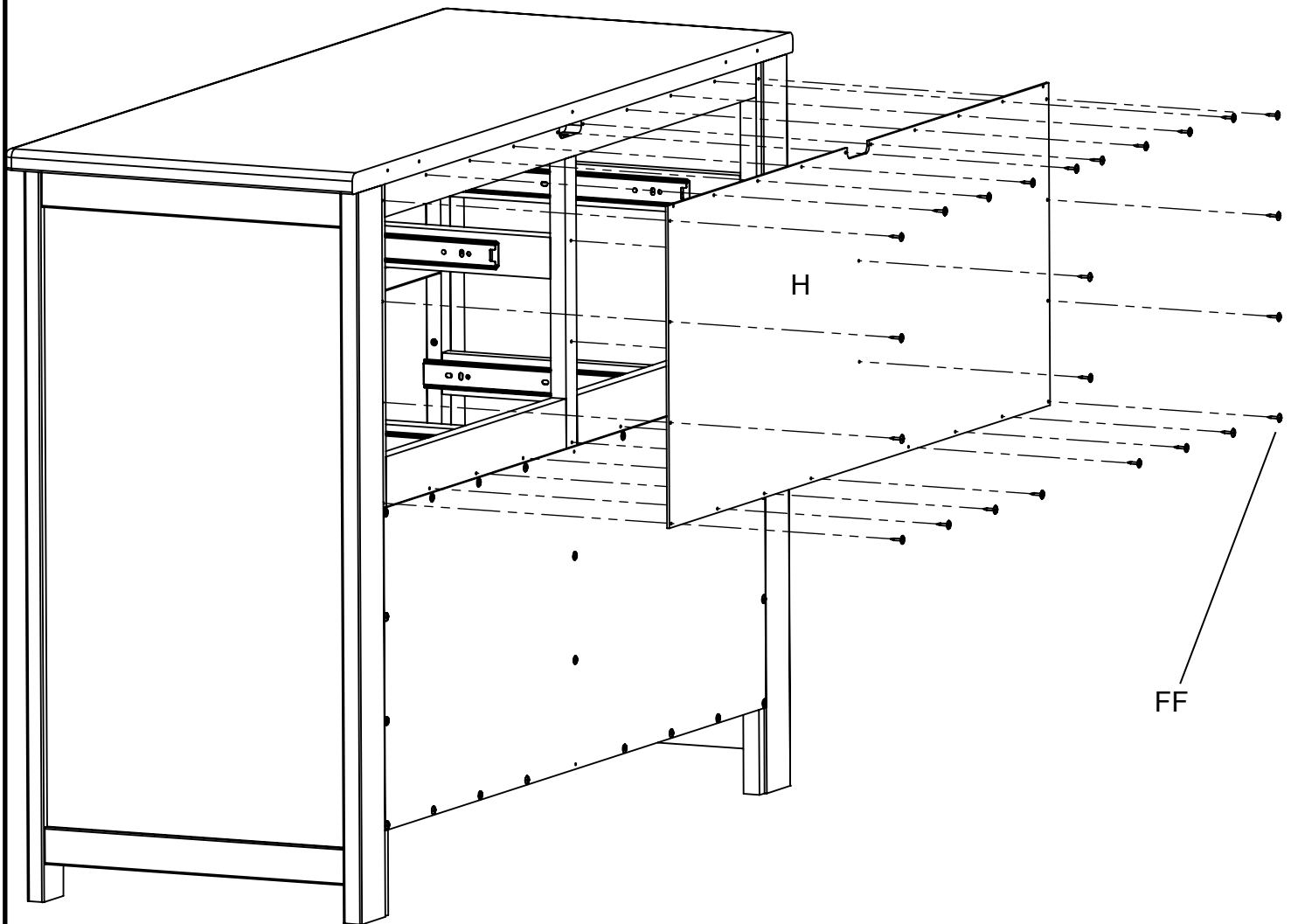
Attach the Bottom Back Panel (Part J) using (22) 15mm Screws (Part FF), tighten with a Phillips screwdriver.

STEP #8

Finished corner
Open Holes for Optional
Dress Kit or Hutch

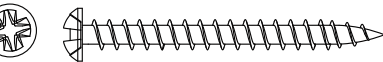


FF.15mm Back Panel Screw x24



Attach the Top Back Panel (Part H) using (24) 15mm Screws (Part FF), tighten with a Phillips screwdriver.

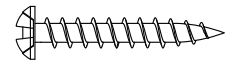
STEP #9A



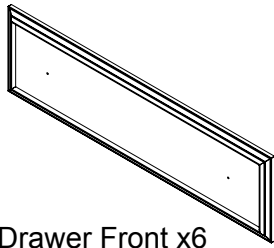
GG. 40mm SCREW x30



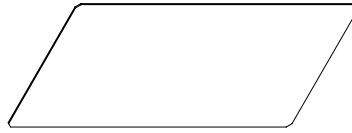
LL. PLASTIC
BARREL NUT x30



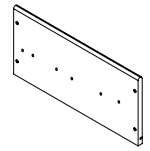
EE. 25mm SCREW x30



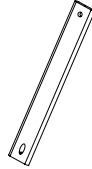
K. Drawer Front x6



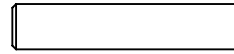
N. Drawer Bottom x6



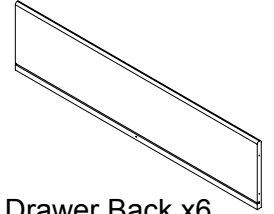
L. Drawer Side x12



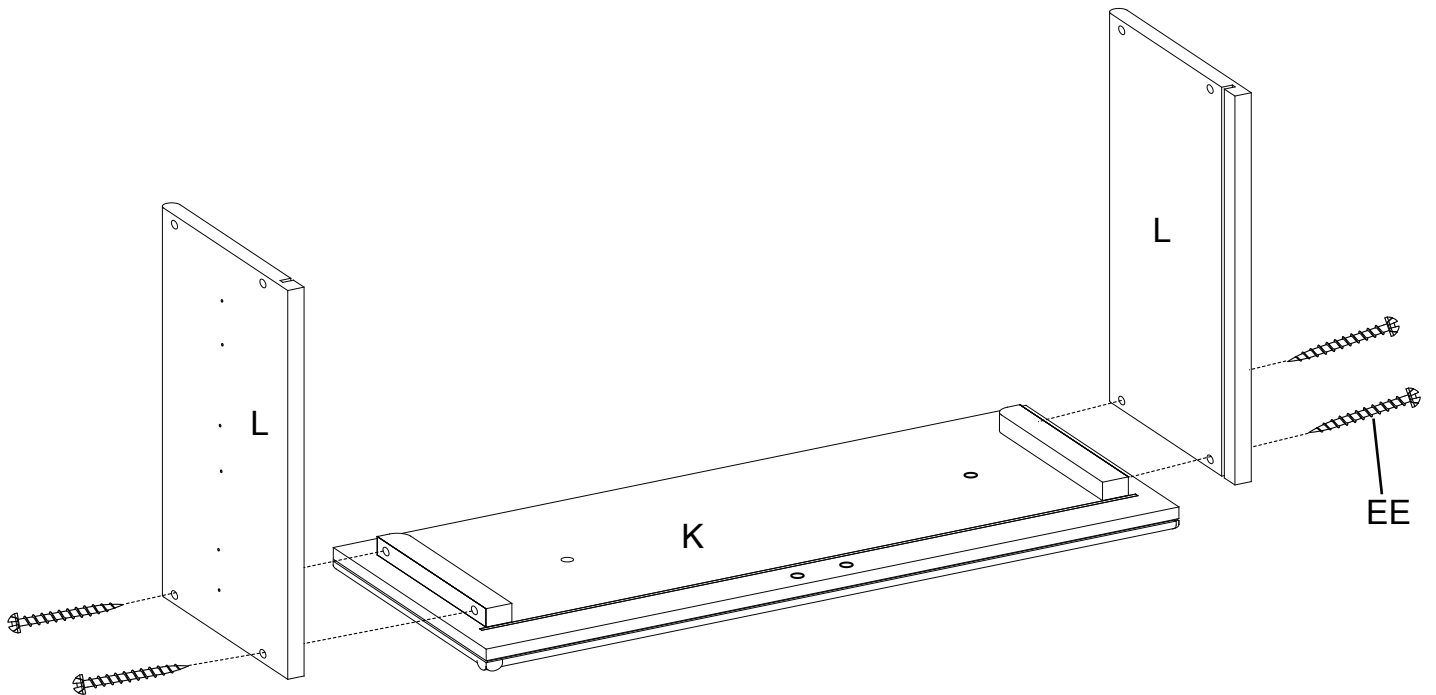
P. Drawer Bottom Support x6



HH. 6mm Dowel x12

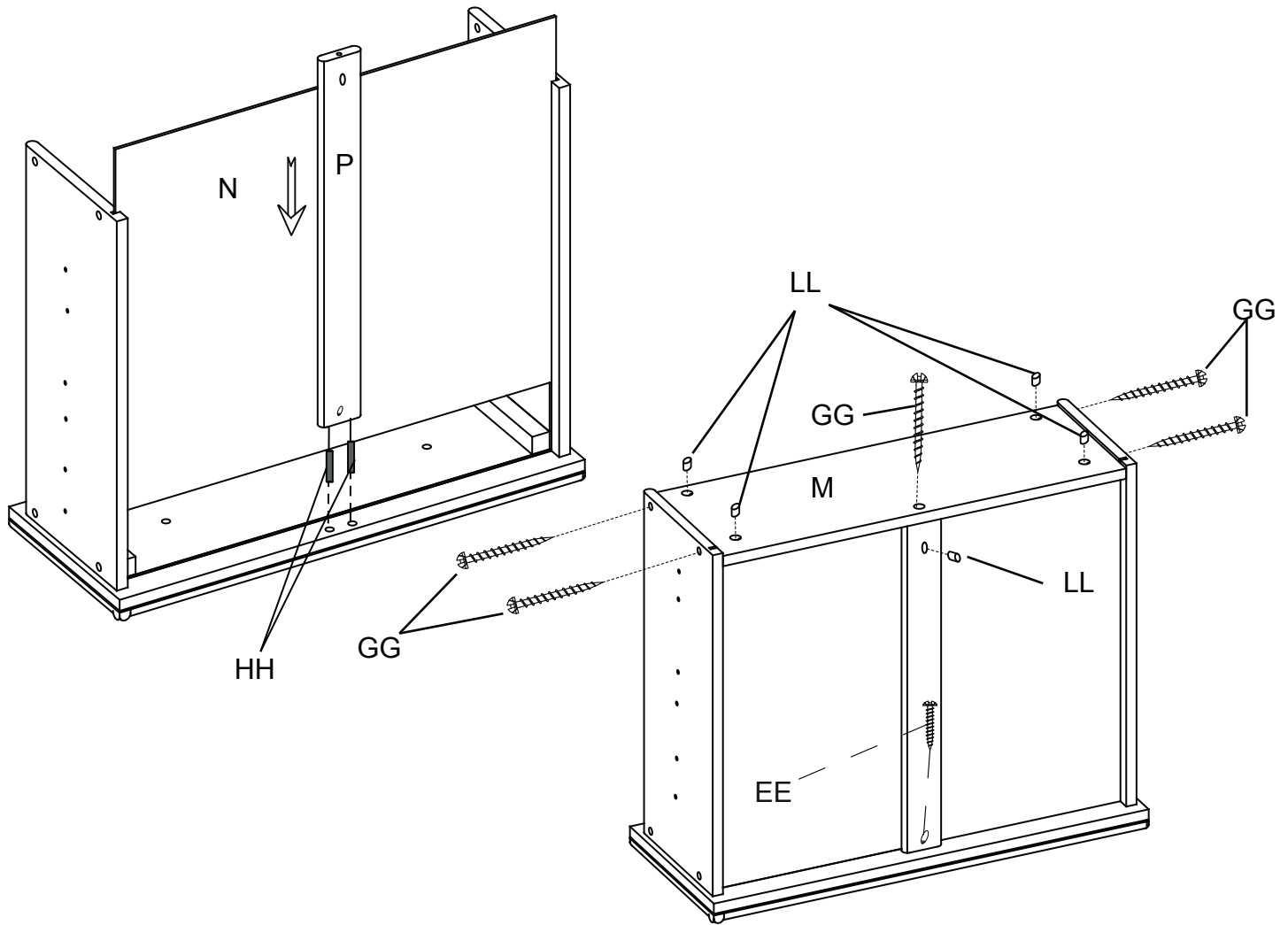


M. Drawer Back x6



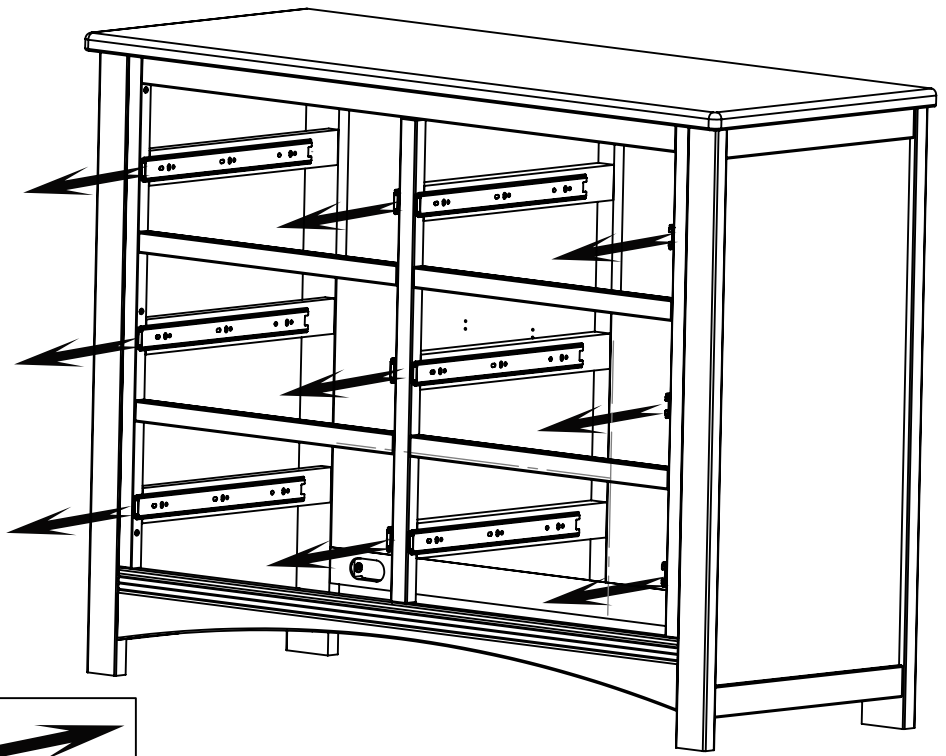
Attach the Drawer Sides (Parts L) to the Drawer Front (Part K) with (4) 25mm Screws (Part EE)
Note: Grooves In Bottom Must Align. Tighten With Phillips Screwdriver

STEP #9B

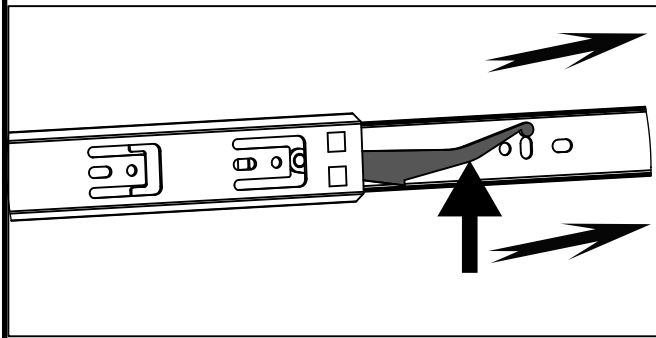


Slide Drawer Bottom (Part N) into the grooves. Install the Drawer Support (Part P) and Drawer Back (Part M), using (2) 6mm dowels (Part HH), (1) 25mm Screw (Part EE), (5) 40mm Screws (Part GG) and (5) Plastic Barrel Nuts (Part LL). Note: Grooves In Bottom Must Align. Tighten With Phillips Screwdriver

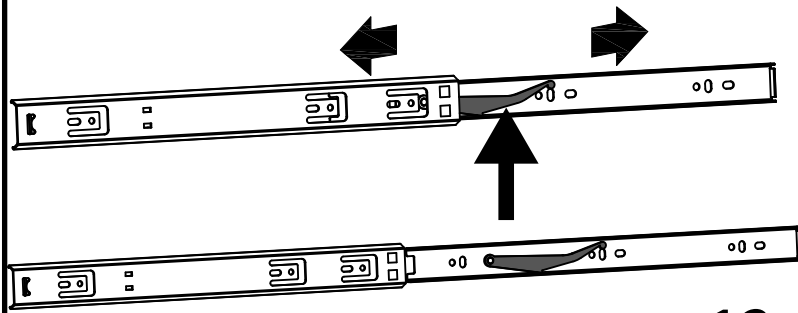
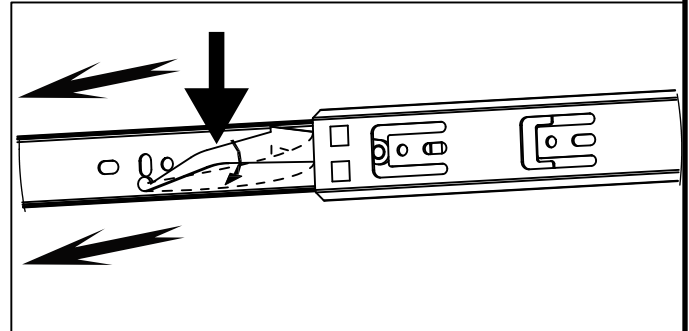
STEP #10



Lift lever on left glide up



Press lever on right glide down



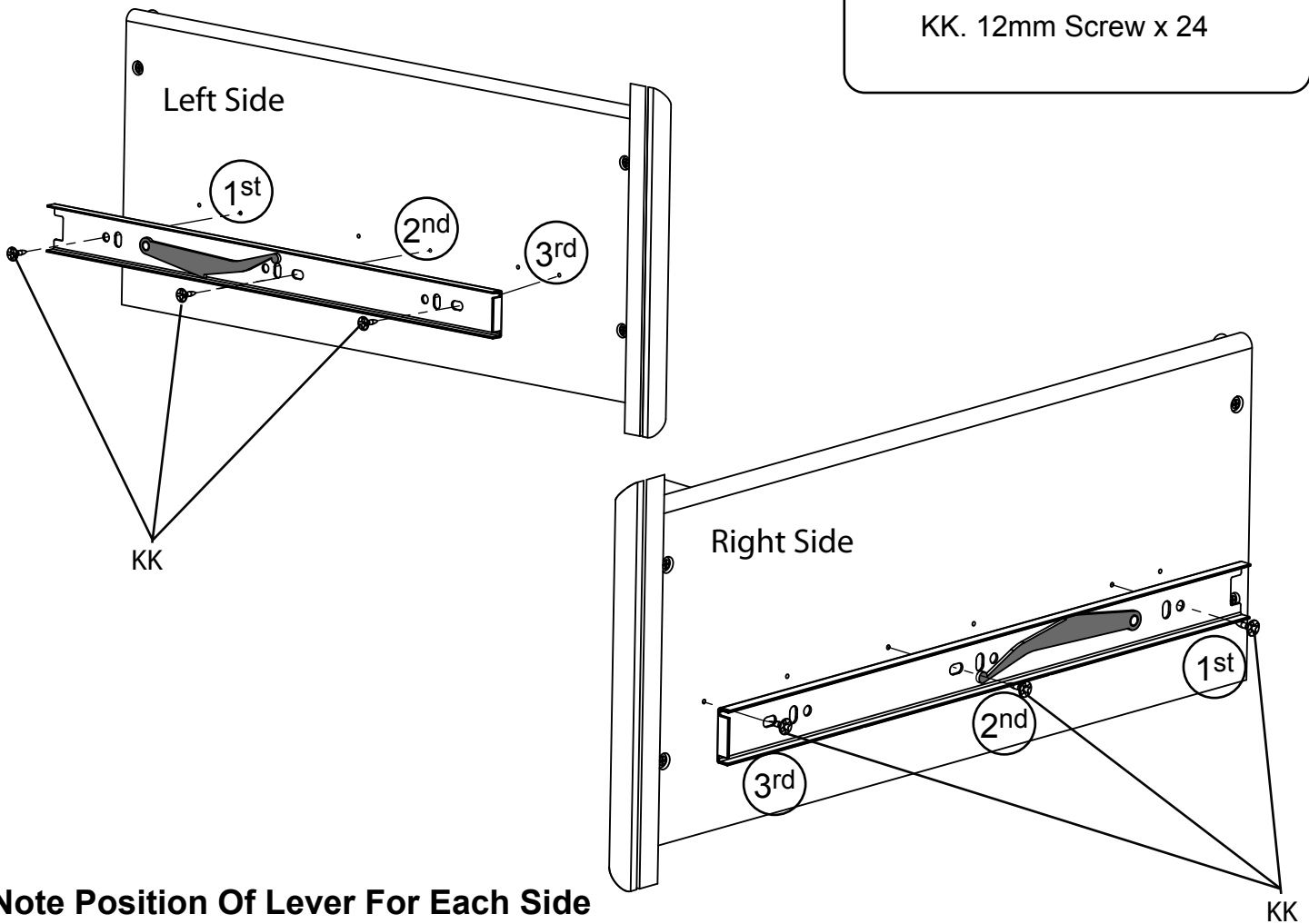
x12

Remove the out piece on each Drawer Guide (Attached to the Left Side and Right Side), (12) total, by pressing the lever to release (see illustration).

STEP #11



KK. 12mm Screw x 24

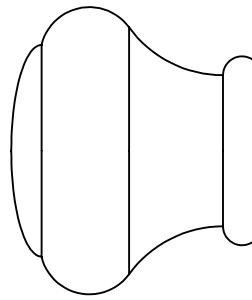


Note Position Of Lever For Each Side

Attach (2) Drawer Guide outer pieces to each assembled drawer. There are pre-drilled holes in each drawer side.

- i) Place the end of the Drawer Guide with the tab against the Drawer front, then align the holes in the Guide to the holes in the Side, tab should remain very close to the Drawer Front.
- ii) Attach the Drawer Guide with (3) 12mm Woodscrews (Part DD) Install the screws from the back to the front (1st, 2nd, 3rd in the illustration). tighten with a Phillips Screwdriver.
- iii) repeat with the other Drawer Side.
- iv) Repeat until all (6) Drawers are complete.

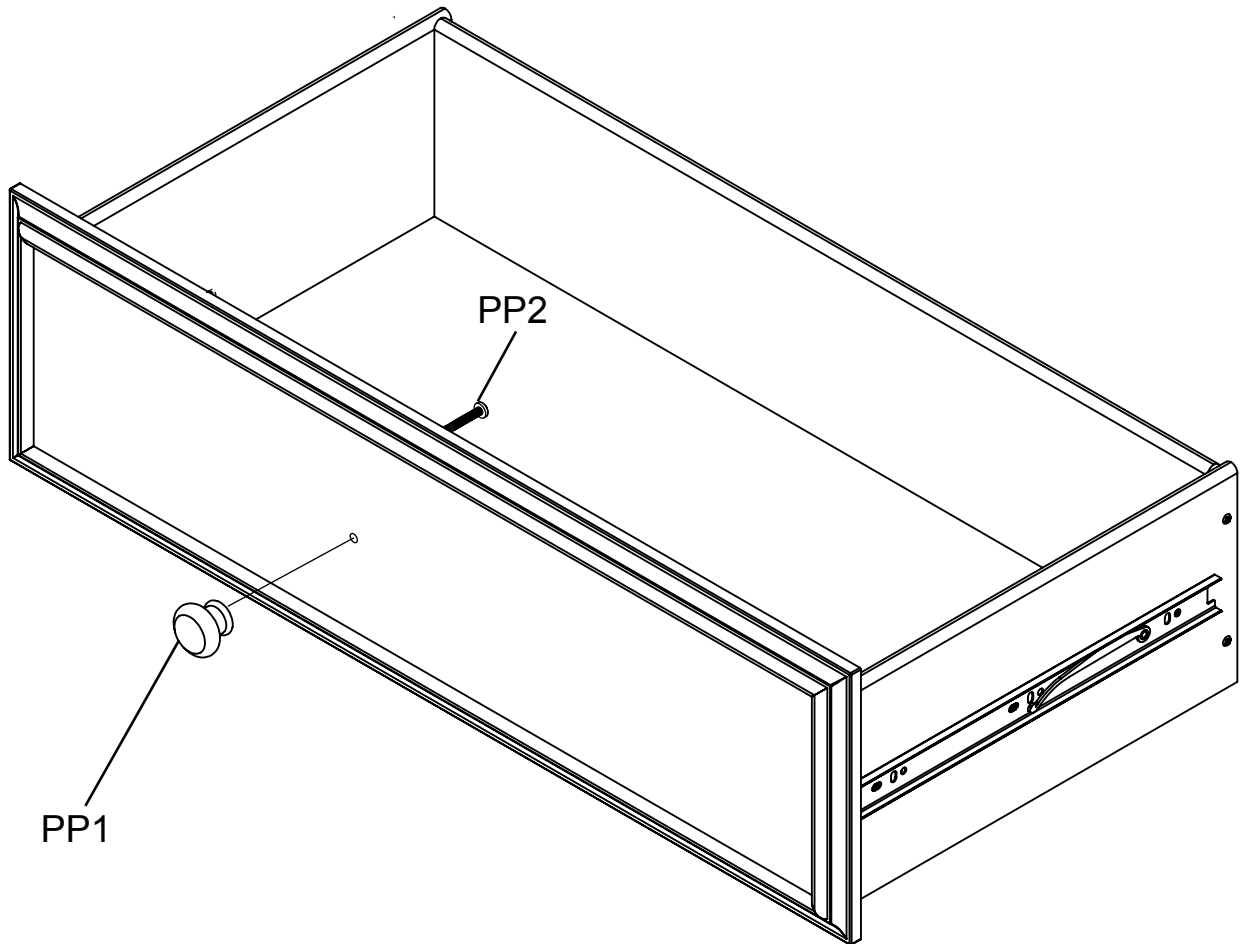
STEP #12



PP1. Wood knob base x8



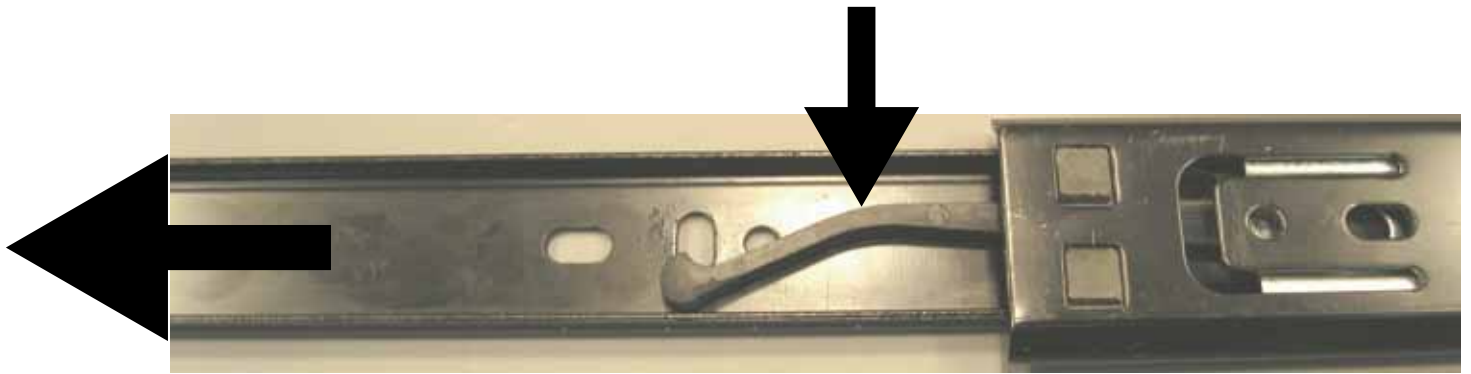
PP2. KNOB SCREW 30mm x8



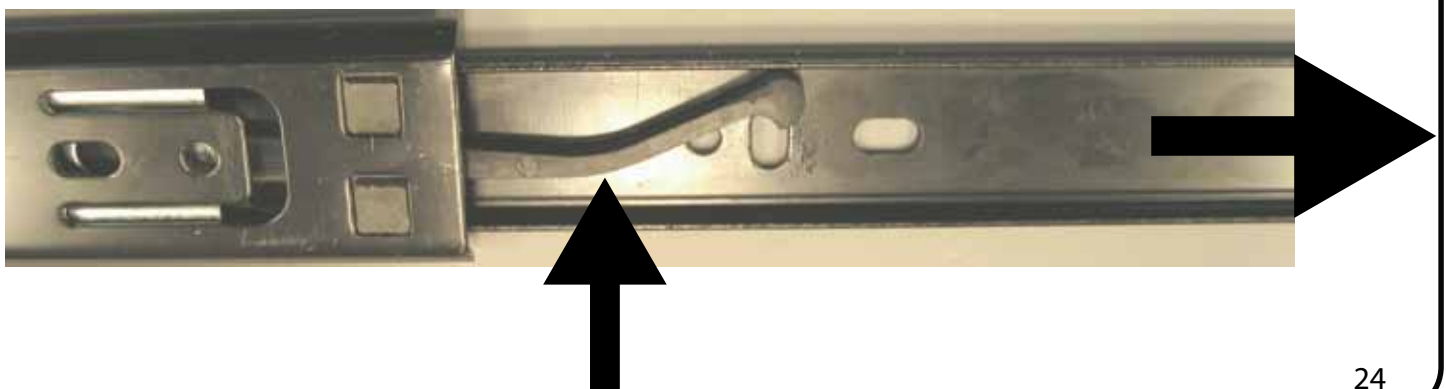
Attach (2) Knob (Part PP1) with (2) Knob Screw (Part PP2).
Tighten With The Phillips Screwdriver.

How To Operate The Drawer Glide

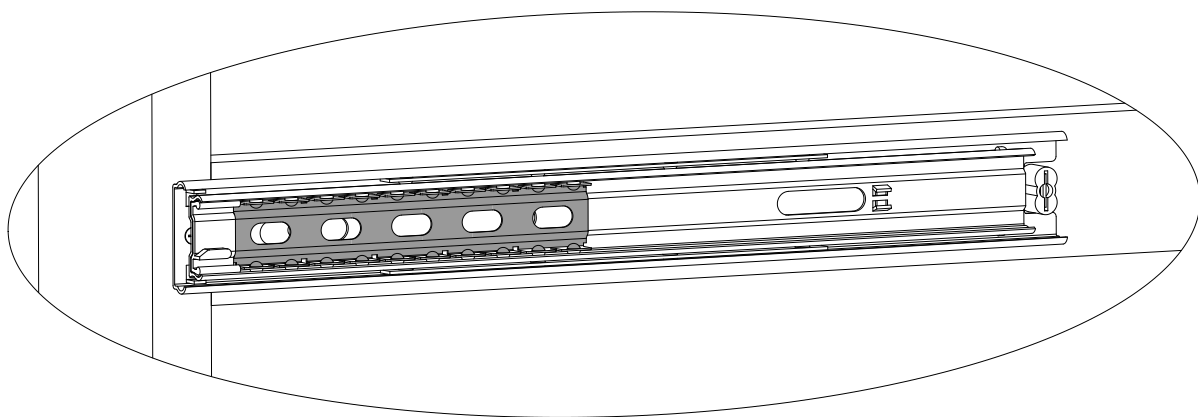
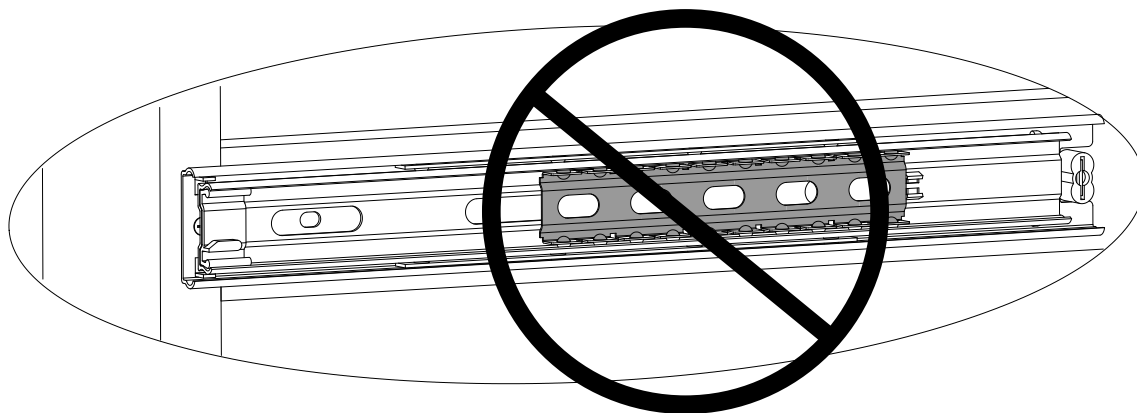
Right Side Push Lever Down



Left Side Push Lever Up

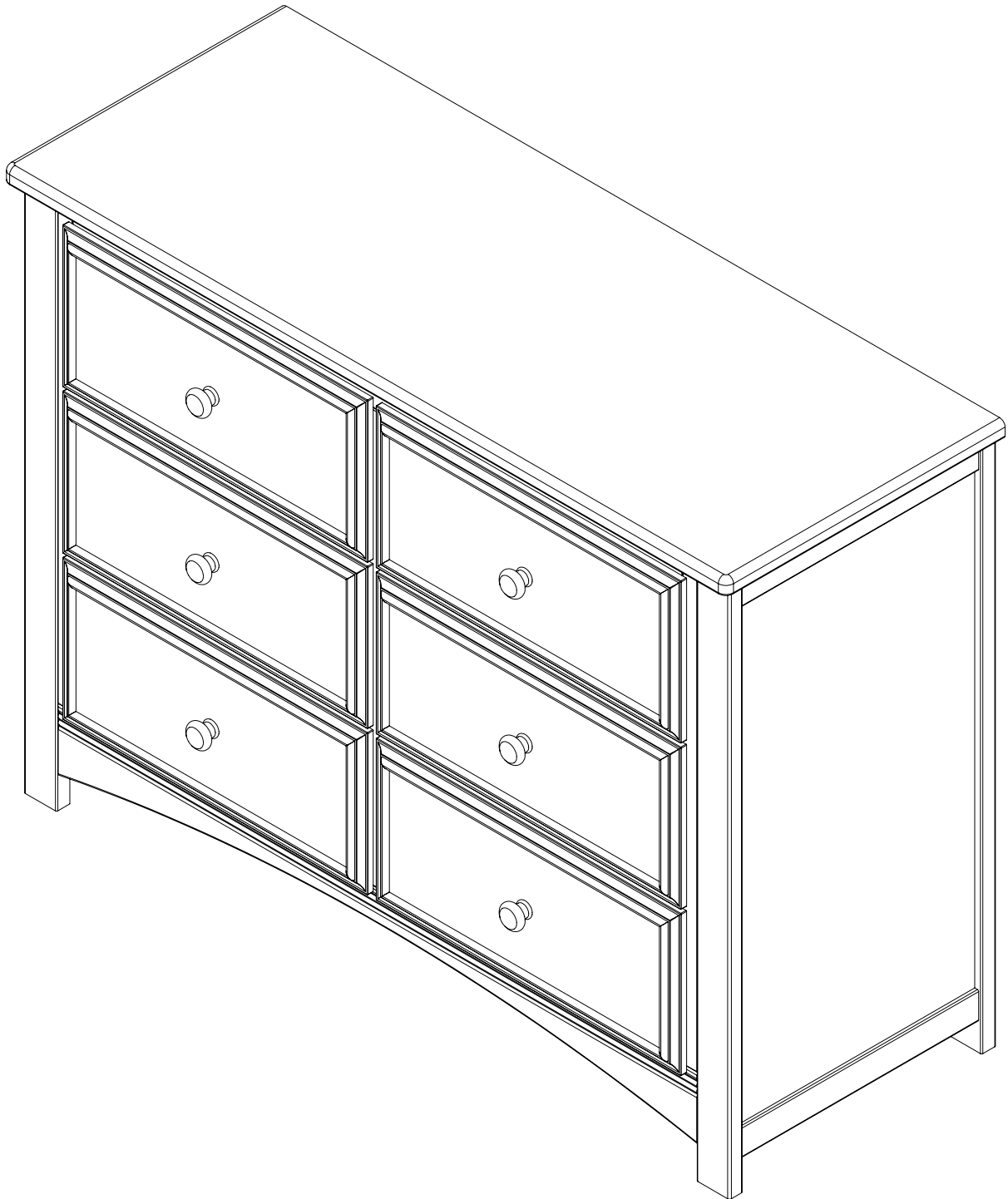


The silver portion of the glide must be pulled to the front of the glide when assembling the drawer into the case.



To insert drawer align male runner on drawer to female runner on case and push all the way in.

STEP #13



Install the drawers. Changing the position of each drawer may improve fit or function.



Consumer Care:
www.DeltaChildren.com
Delta Children's Products
114 West 26th Street
New York, NY 10001
Tele.212-645-9033

Warranty: This Delta product is warranted to be free from defects for a period of 90 days from the date of purchase under normal use. This warranty extends only to the original retail purchaser and is valid only when supplied with proof of purchase, or if received as a gift, when the registration is on file with Delta.

To register your product for important safety alerts and updates to your product please visit **www.deltachildren.com**

Please do not return this item to the store before contacting us about missing parts or with any questions.

To report a problem, please log on to **www.deltachildren.com** and click the Consumer Care Tab, or contact us by phone at (212) 645-9033.

In the event that you need to contact our customer service department please have the Style Number and Lot Number available. Use the space below to make note of those numbers. They can be found on the label on the *Back Panel*.

STYLE No:

COLOR

REV

FTY

Lot No. : _____

MFG DATE: _____

Date of Purchase: _____ (you should also keep your receipt)